

# COMPOSITIO MATHEMATICA

PAVEL I. ETINGOF

ALEXANDER A. KIRILLOV, JR.

**Representation-theoretic proof of the inner product and symmetry identities for Macdonald's polynomials**

*Compositio Mathematica*, tome 102, n° 2 (1996), p. 179-202

[http://www.numdam.org/item?id=CM\\_1996\\_\\_102\\_2\\_179\\_0](http://www.numdam.org/item?id=CM_1996__102_2_179_0)

© Foundation Compositio Mathematica, 1996, tous droits réservés.

L'accès aux archives de la revue « Compositio Mathematica » (<http://www.compositio.nl/>) implique l'accord avec les conditions générales d'utilisation (<http://www.numdam.org/conditions>). Toute utilisation commerciale ou impression systématique est constitutive d'une infraction pénale. Toute copie ou impression de ce fichier doit contenir la présente mention de copyright.

NUMDAM

Article numérisé dans le cadre du programme  
Numérisation de documents anciens mathématiques

<http://www.numdam.org/>

# Representation-theoretic proof of the inner product and symmetry identities for Macdonald's polynomials

PAVEL I. ETINGOF<sup>1</sup> and ALEXANDER A. KIRILLOV, JR.<sup>2</sup>

<sup>1</sup>*Department of Mathematics, Harvard University, Cambridge, MA 02138*

*e-mail: etingof@math.harvard.edu*

<sup>2</sup>*Department of Mathematics, Yale University, New Haven, CT 06520-8283*

*e-mail: kirillov@math.yale.edu*

Received 8 November 1994; accepted in final form 14 April 1995

## Introduction

This paper is a continuation of our papers [EK1, EK2]. In [EK2] we showed that for the root system  $A_{n-1}$  one can obtain Macdonald's polynomials – a new interesting class of symmetric functions recently defined by I. Macdonald [M1] – as weighted traces of intertwining operators between certain finite-dimensional representations of  $U_{qsl_n}$ . The main goal of the present paper is to use this construction to give a representation-theoretic proof of Macdonald's inner product and symmetry identities for the root system  $A_{n-1}$ . Macdonald's inner product identities (see [M2]) have been proved by combinatorial methods by Macdonald (unpublished) for the root system  $A_{n-1}$  and by Cherednik [C1] in the general case; symmetry identities for the root system  $A_{n-1}$  have been proved by Koornwinder (unpublished). Again, recently Cherednik proved these identities for arbitrary root systems ([C2]).

The paper is organized as follows. In Section 1 we briefly list the basic definitions. In Section 2 we define Macdonald's polynomials  $P_\lambda$  and recall the construction of  $P_\lambda$  and the inner product between them for the root system  $A_{n-1}$  in terms of intertwining operators. By definition,  $\langle P_\lambda, P_\mu \rangle = 0$  if  $\lambda \neq \mu$ , and we show that  $\langle P_\lambda, P_\lambda \rangle$  can be expressed as a certain matrix element of product of two intertwining operators. In Section 3 we use the Shapovalov determinant formula to analyze the poles of matrix coefficients of an intertwining operator, and this allows us to express the product of two intertwining operators in terms of a single intertwiner. Applying this to the formula for  $\langle P_\lambda, P_\lambda \rangle$  obtained in Section 2, we prove the Macdonald's inner product identity, and the right-hand side is obtained as a product of linear factors in Shapovalov determinant formula. In Section 4 we prove the symmetry identity, which relates the values of  $P_\lambda(q^{2(\mu+k\rho)})$  and  $P_\mu(q^{2(\lambda+k\rho)})$ ; the proof is based on the construction of Section 2 and the technique of representing

identities in the category of representations of a quantum group by ribbon graphs ([RT1, RT2]). In Section 5 we use the symmetry identities and the fact that Macdonald polynomials are eigenfunctions of certain difference operators (Macdonald operators) to derive recurrence relations for Macdonald polynomials.

### 1. Basic definitions

We adopt the following conventions:  $\mathfrak{g}$  is a simple Lie algebra over  $\mathbb{C}$  of rank  $r$ ,  $\mathfrak{h} \subset \mathfrak{g}$  is its Cartan subalgebra,  $R \subset \mathfrak{h}^*$  is the corresponding root system,  $R^+$  is the subset of positive roots,  $\alpha_1, \dots, \alpha_r \in R^+$  is the basis of simple roots,  $\theta$  is the highest root. We also introduce the root lattice  $Q = \bigoplus \mathbb{Z}\alpha_i$  and the cone of positive roots  $Q^+ = \bigoplus \mathbb{Z}_+\alpha_i$ .

We fix an invariant bilinear form  $(, )$  on  $\mathfrak{g}$  by the condition that for the associated bilinear form on  $\mathfrak{h}^*$  we have  $d_i = (\alpha_i, \alpha_i)/2 \in \mathbb{Z}_+$ ,  $\text{g.c.d.}(d_i) = 1$ ; this form allows us to identify  $\mathfrak{h}^* \simeq \mathfrak{h}: \lambda \mapsto h_\lambda$ . Abusing the language, we will often write, say,  $q^\lambda$  instead of  $q^{h_\lambda}$ .

For every  $\alpha \in R$  we define the dual root  $\alpha^\vee = \frac{2h_\alpha}{(\alpha, \alpha)} \in \mathfrak{h}$ . Let  $P = \{\lambda \in \mathfrak{h}^* | \langle \lambda, \alpha^\vee \rangle \in \mathbb{Z}\}$  be the weight lattice, and  $P^+ = \{\lambda \in \mathfrak{h}^* | \langle \lambda, \alpha_i^\vee \rangle \in \mathbb{Z}_+\}$  be the cone of dominant weights. Let  $\rho = \frac{1}{2} \sum_{\alpha \in R^+} \alpha$ ; then  $\langle \rho, \alpha_i^\vee \rangle = 1$  and thus  $\rho \in P^+$ . Denote by  $W$  the Weyl group for the root system  $R$  and by  $\mathbb{C}[P]$  the group algebra of the weight lattice, which is spanned by the formal exponentials  $e^\lambda, \lambda \in P$ . Then  $W$  naturally acts on  $P$  and on  $\mathbb{C}[P]$ . Note that in every  $W$ -orbit in  $P$  there is precisely one dominant weight; this implies that the orbitsums  $m_\lambda = \sum_{\mu \in W\lambda} e^\mu, \lambda \in P^+$  form a basis of  $\mathbb{C}[P]^W$ . Finally, we can introduce partial order in  $P$ : we let  $\lambda \leq \mu$  if  $\mu - \lambda \in Q^+$ .

Let  $U_q\mathfrak{g}$  be the quantum group corresponding to  $\mathfrak{g}$  (see [D, J] for definitions). We will use precisely the same form of  $U_q\mathfrak{g}$  as we did in [EK2] for  $\mathfrak{gl}_n$ ; in particular, we always consider  $q$  as a formal variable and consider  $U_q\mathfrak{g}$  and its representations as vector spaces over  $\mathbb{C}_q = \mathbb{C}(q^{1/2N})$ , where  $N = |P/Q|$  (we need fractional powers of  $q$  to define comultiplication and braiding). We will also use the following notions which have been discussed in more detail in [EK2].

We define a polarization of  $U_q\mathfrak{g}$  in the usual way:  $U_q\mathfrak{g} = U^+ \cdot U^0 \cdot U^-$ . For every  $\lambda \in \mathfrak{h}^*$  we denote by  $M_\lambda$  the Verma module over  $U_q\mathfrak{g}$  and by  $L_\lambda$  the corresponding irreducible highest-weight module. If  $\lambda \in P^+$  then  $L_\lambda$  is finite-dimensional. All highest weight modules over  $U_q\mathfrak{g}$  have weight decomposition; we will write  $V[\alpha]$  for the subspace of homogeneous vectors of weight  $\alpha \in \mathfrak{h}^*$  in  $V$ .

For every finite-dimensional representation  $V$  of  $U_q\mathfrak{g}$  we define the action of  $U_q\mathfrak{g}$  on the space  $V^*$  of linear functionals on  $V$  by the rule  $\langle xv^*, v \rangle = \langle v^*, S(x)v \rangle$  for  $v \in V, v^* \in V^*, x \in U_q\mathfrak{g}$ , where  $S$  is the antipode in  $U_q\mathfrak{g}$ . This endows  $V^*$  with the structure of a  $U_q\mathfrak{g}$  representation which we will call the right dual to  $V$ . In a similar way, the left dual  ${}^*V$  is the representation of  $U_q\mathfrak{g}$  in the space of linear functionals on  $V$  defined by  $\langle xv^*, v \rangle = \langle v^*, S^{-1}(x)v \rangle$ . Then the following

natural pairings and embeddings are  $U_q\mathfrak{g}$ -homomorphisms:

$$\begin{aligned} V \otimes {}^*V &\rightarrow \mathbb{C}_q, & V^* \otimes V &\rightarrow \mathbb{C}_q \\ \mathbb{C}_q &\rightarrow V \otimes V^*, & \mathbb{C}_q &\rightarrow {}^*V \otimes V \end{aligned} \quad (1.1)$$

Note that  $V^*$  and  ${}^*V$ , considered as two structures of a representation of  $U_q\mathfrak{g}$  on the same vector space, do not coincide, but they are isomorphic. Namely,  $q^{-2\rho}: {}^*V \rightarrow V^*$  is an isomorphism. Note also that if  $V = L_\lambda$  is an irreducible finite-dimensional representation, so is  $V^*: L_\lambda^* \simeq L_{\lambda^*}$ , where  $\lambda^* = -w_0(\lambda)$ ,  $w_0$  being the longest element in the Weyl group.

It is known that if  $V, W$  are finite-dimensional then the representations  $V \otimes W$  and  $W \otimes V$  are isomorphic, but the isomorphism is non-trivial. More precisely (see [D, T]), there exists a universal R-matrix  $\mathcal{R} \in U_q\mathfrak{g} \hat{\otimes} U_q\mathfrak{g}$  ( $\hat{\otimes}$  should be understood as a completed tensor product) such that

$$\check{R}_{V,W} = P \circ \pi_V \otimes \pi_W(\mathcal{R}): V \otimes W \rightarrow W \otimes V \quad (1.2)$$

is an isomorphism of representations. Here  $P$  is the transposition:  $Pv \otimes w = w \otimes v$ . Also, it is known that  $\mathcal{R}$  has the following form

$$\begin{aligned} \mathcal{R} &= q^{-\sum h_i \otimes h_i} \mathcal{R}^*, & \mathcal{R}^* &\in U^+ \hat{\otimes} U^- \\ (\varepsilon \otimes 1)(\mathcal{R}^*) &= (1 \otimes \varepsilon)(\mathcal{R}^*) = 1 \otimes 1, \end{aligned} \quad (1.3)$$

where  $\varepsilon: U_q\mathfrak{g} \rightarrow \mathbb{C}_q$  is the counit, and  $h_i$  is an orthonormal basis in  $\mathfrak{h}$ .

Similarly to the classical case, one can introduce an involutive algebra automorphism  $\omega: U_q\mathfrak{g} \rightarrow U_q\mathfrak{g}$  which transposes  $U^+$  and  $U^-$ :  $\omega(e_i) = -f_i, \omega(f_i) = -e_i, \omega(h) = -h$ . This is a coalgebra antiautomorphism. Thus, for every representation  $V$  we can define a new representation  $V^\omega$  of  $U_q\mathfrak{g}$  in the same space by the formula  $\pi_{V^\omega}(x) = \pi_V(\omega x)$ . If  $v \in V$ , we will write  $v^\omega$  for the same vector considered as an element of  $V^\omega$ . If  $V$  is finite-dimensional then  $V^\omega \simeq {}^*V$  (though the isomorphism is not canonical); in other words, there exists a non-degenerate pairing  $(\cdot, \cdot)_V: V \otimes V \rightarrow \mathbb{C}_q$  such that  $(xv, v')_V = (v, \omega S(x)v')_V$ , which is called the Shapovalov form. This form is symmetric. If  $V = L_\lambda$  is irreducible, we will fix this form by the condition that  $(v_\lambda, v_\lambda) = 1$ . Note that if  $v_i, v^i$  are dual bases in  $V$  with respect to Shapovalov form then  $\mathbf{1}_\lambda = \mathbf{q}^{2(\lambda, \rho)}(\mathbf{q}^{-2\rho} \otimes \mathbf{1}) \sum v_i \otimes v^i$  is an invariant vector in  $V \otimes V^\omega$  such that  $\mathbf{1}_\lambda = v_\lambda \otimes v_\lambda^\omega + \text{lower terms}$  (by lower terms we always mean terms of lower weight in the first component).

The involution  $\omega$  can be extended to intertwiners: if  $\Phi: L_\lambda \rightarrow L_\nu \otimes U$  is an intertwiner such that  $\Phi(v_\lambda) = v_\nu \otimes u_0 + \text{lower terms}$  for some  $u_0 \in U$  then we can define the intertwiner  $\Phi^\omega = P \circ \Phi: L_\lambda^\omega \rightarrow U^\omega \otimes L_\nu^\omega$ , where  $P$  is transposition of  $U^\omega$  and  $L_\nu^\omega$ . Obviously,  $\Phi^\omega(v_\lambda^\omega) = u_0^\omega \otimes v_\nu^\omega + \text{lower order terms}$  (note that  $v_\lambda^\omega$  is a lowest weight vector in  $L_\lambda^\omega$ ).

Finally, we will use the technique of representing homomorphisms in the category of finite-dimensional representations of  $U_q\mathfrak{g}$  by ribbon graphs, developed

in [RT1, RT2]. For the sake of completeness we briefly recall the basics of this technique in the Appendix.

### 2. Macdonald’s polynomials and inner product

Let us briefly recall the definition of Macdonald’s polynomials and their construction for root system  $A_{n-1}$  in terms of intertwining operators, following the paper [EK2]. Let us fix  $k \in \mathbb{Z}_+$ .

**THEOREM 2.1 (Macdonald).** *There exists a unique family of symmetric trigonometric polynomials  $P_\lambda(q, q^k) \in \mathbb{C}(q)[P]^W$  labeled by the dominant weights  $\lambda \in P^+$  such that*

1.  $P_\lambda(q, q^k) = m_\lambda + \sum_{\mu < \lambda} c_{\lambda\mu} m_\mu$

2. *For fixed  $q, k$  the polynomials  $P_\lambda(q, q^k)$  are orthogonal with respect to the inner product given by  $\langle f, g \rangle_k = \frac{1}{|W|} [f\bar{g}\Delta_{q,q^k}]_0$ , where the bar conjugation is defined by  $\overline{e^\lambda} = e^{-\lambda}$ ,  $[\ ]_0$  is the constant term of a trigonometric polynomial (i.e., coefficient at  $e^0$ ), and*

$$\Delta_{q,q^k} = \prod_{\alpha \in R} \prod_{i=0}^{k-1} (1 - q^{2i} e^\alpha) \tag{2.1}$$

In our paper [EK2] we showed how these polynomials for the root system  $A_{n-1}$  can be obtained from the representation theory of  $U_q \mathfrak{sl}_n$ . We briefly repeat the main steps here.

From now till the end of this section, we consider only the case  $\mathfrak{g} = \mathfrak{sl}_n$ . Consider intertwining operators

$$\Phi_\lambda: L_{\lambda+(k-1)\rho} \rightarrow L_{\lambda+(k-1)\rho} \otimes U_{k-1}$$

where  $U_{k-1} = S^{(k-1)n} \mathbb{C}^n$  is the  $q$ -deformation of symmetric power of fundamental representation of  $U_q \mathfrak{sl}_n$ ; it can be realized in the space of homogeneous polynomials of degree  $n(k-1)$  in  $x_1, \dots, x_n$  (see formula (3.5) below). If  $\lambda \in P^+$  then such an intertwiner exists and is unique up to a constant factor. We fix it by the condition  $\Phi_\lambda(v_{\lambda^k}) = v_{\lambda^k} \otimes u_0^{k-1} + \dots$ , where  $u_0^{k-1} = (x_1 \dots x_n)^{k-1} \in U_{k-1}[0]$  and  $\lambda^k = \lambda + (k-1)\rho$ . Define the corresponding ‘generalized character’

$$\chi_\lambda = \sum_{\mu} e^\mu \text{Tr}|_{L[\mu]} \Phi_\lambda$$

This is an element of  $\mathbb{C}_q[P] \otimes U_{k-1}[0]$ . Since  $U_{k-1}[0]$  is one-dimensional, it can be identified with  $\mathbb{C}$  so that  $u_0^{k-1} \mapsto 1$ , and thus,  $\chi_\lambda$  can be considered as a complex-valued polynomial. Sometimes we will symbolically write  $\chi = \text{Tr}(\Phi e^h)$  as an abbreviation of the formula above.

**THEOREM 2.2.** ([EK2])

1.

$$\chi_0 = \prod_{\alpha \in R^+} \prod_{i=1}^{k-1} (e^{\alpha/2} - q^{2i} e^{-\alpha/2})$$

- 2.  $\chi_\lambda$  is divisible by  $\chi_0$ , and the ratio is a symmetric polynomial.
- 3.  $\chi_\lambda/\chi_0$  is the Macdonald's polynomial  $P_\lambda(q, q^k)$ .

Our main goal is to find an explicit formula for  $\langle P_\lambda, P_\lambda \rangle_k$ . To do it, note first that it follows from Part 1 of the theorem above that  $\chi_0 \bar{\chi}_0 \Delta_{q,q} = \Delta_{q,q^k}$  and thus

$$\langle P_\lambda, P_\lambda \rangle_k = \frac{1}{|W|} [\chi_\lambda \bar{\chi}_\lambda \Delta_{q,q}]_0 = \langle \chi_\lambda, \chi_\lambda \rangle_1. \tag{2.2}$$

Now, it is easy to see from the definition that  $\chi_\lambda \bar{\chi}_\lambda = \text{Tr}(\Psi e^h)$ , where  $\Psi$  is the following composition

$$L_{\lambda^k} \otimes L_{\lambda^k}^\omega \xrightarrow{\Phi_\lambda \otimes \Phi_\lambda^\omega} L_{\lambda^k} \otimes U_{k-1} \otimes U_{k-1}^\omega \otimes L_{\lambda^k} \xrightarrow{\text{Id} \otimes (\cdot, \cdot)_{U \otimes \text{Id}}} L_{\lambda^k} \otimes L_{\lambda^k}^\omega, \tag{2.3}$$

where, as before,  $\lambda^k = \lambda + (k - 1)\rho$ . Since the module  $L_{\lambda^k} \otimes L_{\lambda^k}^\omega$  is completely reducible,  $\text{Tr}(\Psi e^h)$  is just a linear combination of the usual characters of irreducible components in  $L_{\lambda^k} \otimes L_{\lambda^k}^\omega$ . On the other hand, since the characters for the quantum group are the same as for the classical Lie algebra, and  $\Delta_{q,q} = \prod_{\alpha \in R} (1 - e^\alpha)$  does not depend on  $q$ , we know that  $\frac{1}{|W|} [(\text{ch } L_\mu) \Delta_{q,q}]_0 = \delta_{\mu,0}$ , where  $\text{ch } L$  is the character of the module  $L$  considered as an element of  $\mathbb{C}[P]$  (this can be used to prove the orthogonality of  $P_\lambda$ ). Thus,  $\langle \chi_\lambda, \chi_\lambda \rangle$  equals the eigenvalue of  $\Psi$  on the component in  $L_{\lambda^k} \otimes L_{\lambda^k}^\omega$  which is isomorphic to the trivial representation  $\mathbb{C}_q$ . This gives the following lemma.

**LEMMA 2.3.** *The value of the inner product  $A_\lambda = \langle P_\lambda, P_\lambda \rangle_k$  can be calculated from the identity*

$$\Psi \mathbf{1}_\lambda = A_\lambda \mathbf{1}_\lambda, \tag{2.4}$$

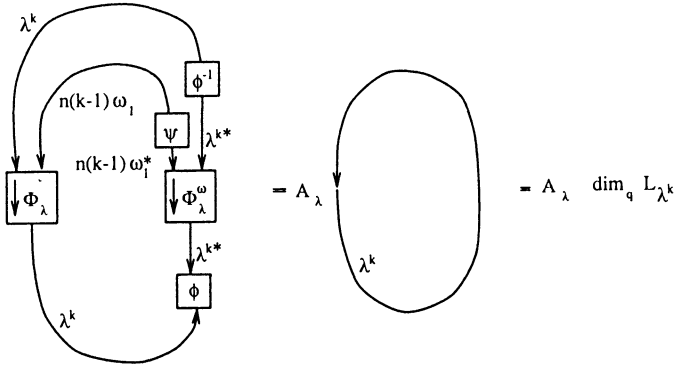
where  $\Psi$  is defined by (2.3) and  $\mathbf{1}_\lambda$  is an invariant vector in  $L_{\lambda^k} \otimes L_{\lambda^k}^\omega$ .

**THEOREM 2.4.**

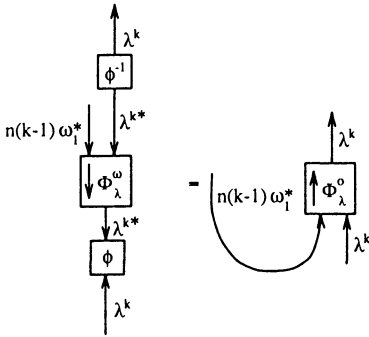
$$\langle P_\lambda, P_\lambda \rangle_k = (\langle v_{\lambda^k}^*, \Phi_\lambda \Phi_\lambda^\omega v_{\lambda^k} \rangle)_{U_{k-1}}, \tag{2.5}$$

where, as before,  $\lambda^k = \lambda + (k - 1)\rho$ ,  $(\cdot)_{U_{k-1}}: U_{k-1} \otimes U_{k-1}^\omega \rightarrow \mathbb{C}_q$  is the map given by the Shapovalov form in  $U_{k-1}$ , and the intertwiner  $\Phi_\lambda^\omega: L_{\lambda^k} \rightarrow L_{\lambda^k} \otimes U_{k-1}^\omega$  is defined by the condition  $\Phi_\lambda^\omega(v_{\lambda^k}) = v_{\lambda^k} \otimes (u_0^{k-1})^\omega + \text{lower order terms}$ .

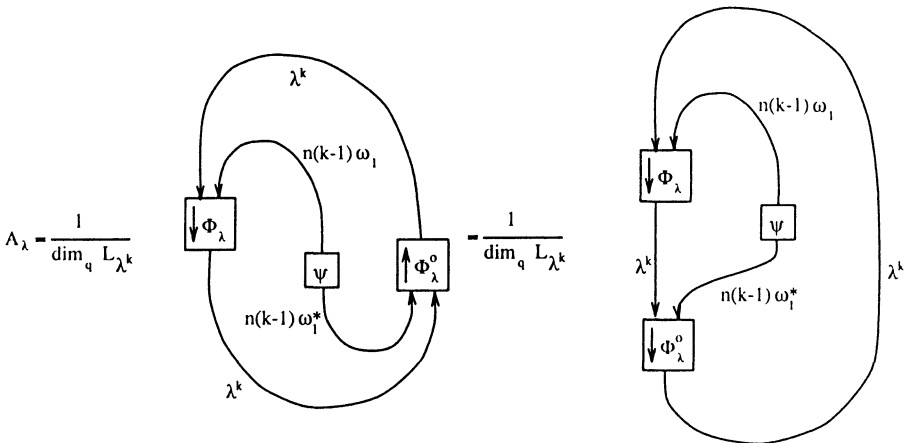
*Proof.* The proof is obvious if we use the technique of ribbon graphs. Namely, it follows from Lemma 2.3 that the inner product  $\langle P_\lambda, P_\lambda \rangle_k = A_\lambda$  can be defined from the following identity of ribbon graphs



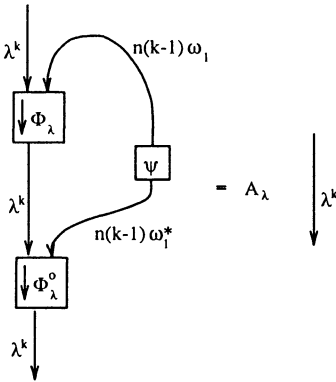
where  $\dim_q L = \text{Tr}_L(q^{-2\rho})$ ,  $\phi: L_{\lambda^k}^* \rightarrow L_{\lambda^k}$ ,  $\psi: L_{n(k-1)\omega_1^*} \rightarrow L_{n(k-1)\omega_1}^* = U_{k-1}^*$  are isomorphisms and  $\psi$  is chosen so that  $\langle u_0^{k-1}, \psi(u_0^{k-1})\omega \rangle = 1$ . It is easy to check that



and thus,



SO



□

### 3. Algebra of intertwiners and the inner product identity

In this section we consider intertwiners of the form

$$\Phi_\lambda^\mu: M_\lambda \rightarrow M_\lambda \otimes L_\mu \tag{3.1}$$

where  $M_\lambda$  is the Verma module over  $U_q\mathfrak{g}$ ,  $L_\mu$  is the finite-dimensional irreducible module; we assume that  $\mu \in P^+ \cap Q$ , so  $L_\mu[0] \neq 0$ . Let  $u \in L_\mu[0]$ . We consider all the modules over the field of rational functions  $\mathbb{C}_q = C(q^{1/2N})$  (see Section 1); if  $\lambda$  is not an integral weight then we also have to add  $q^{\langle \lambda, \alpha_i^\vee \rangle / 2N}$  to this field.

It is known that if  $M_\lambda$  is irreducible then there exists a unique intertwiner of the form (3.1) such that  $\Phi_\lambda^\mu(v_\lambda) = v_\lambda \otimes u + \text{lower order terms}$ . We will denote this intertwiner by  $\Phi_\lambda^{\mu,u}$ . The same is true if we consider the weight  $\lambda$  as indeterminate, i.e. if we consider  $t_i = q^{\langle \lambda, \alpha_i^\vee \rangle / 2N}$  as algebraically independent variables over  $\mathbb{C}_q$ .

Let us identify  $M_\lambda$  with  $U^-$  in a standard way. Then we can say that we have a family of actions of  $U_q\mathfrak{g}$  in the same space  $M \simeq U^-$ , and thus we have a family of intertwiners  $\Phi_\lambda^{\mu,u}: M \rightarrow M \otimes L_\mu$ , defined for generic values of  $\lambda$ .

For  $\lambda \in \mathfrak{h}^*$ , let us call a trigonometric rational function of  $\lambda$  a rational function in  $q^{1/2N}, q^{\lambda/2N}$  (that is, in  $q^{1/2N}$  and  $t_i = q^{\langle \alpha_i^\vee, \lambda \rangle / 2N}, i = 1, \dots, n$ ) and call a trigonometric polynomial in  $\lambda$  a polynomial in  $q^{\pm \lambda / 2N}$  with coefficients from  $\mathbb{C}_q$ . Note that the ring of trigonometric polynomials is a unique factorization ring, and invertible elements in this ring are of the form  $c(q)q^{\langle \lambda, \alpha \rangle}, \alpha \in \frac{1}{2N}Q^\vee$ .

**LEMMA 3.1.** *For fixed  $\mu \in P^+, u \in L_\mu[0], u \neq 0$  we have the following statements.*

(1) *Let  $\lambda \in \mathfrak{h}^*$  be such that  $M_\lambda$  is irreducible. Then there exists a unique intertwining operator  $\Phi_\lambda^{\mu,u}: M_\lambda \rightarrow M_\lambda \otimes L_\mu$  such that  $\Phi_\lambda^{\mu,u}(v_\lambda) = v_\lambda \otimes u + \dots$*



Its matrix elements are trigonometric rational functions of  $\lambda$ . Moreover, we have the following formula for  $\Phi v_\lambda$ :

$$\Phi_\lambda^{\mu,u}(v_\lambda) = \sum_{k,l} (F^{-1})_{kl} g_k v_\lambda \otimes q^{\lambda+2\rho} \omega(g_l) u, \tag{3.2}$$

where  $g_k$  is a homogeneous basis in  $U^-$ ,  $F^{-1}$  is the inverse matrix to the Shapovalov form in  $M_\lambda$ , and as in Section 1,  $q^\lambda|_{V[\nu]} = q^{(\lambda,\nu)} \text{Id}_{V[\nu]}$ .

(2) Define the operator  $\tilde{\Phi}_\lambda^{\mu,u}$  by

$$\tilde{\Phi}_\lambda^{\mu,u} = d_\mu(\lambda) \Phi_\lambda^{\mu,u}, \tag{3.3}$$

where

$$d_\mu(\lambda) = \prod_{\alpha \in R^+} \prod_{i=1}^{n_\mu^\alpha} (1 - q^{(2(\alpha,\lambda+\rho) - i(\alpha,\alpha))}), \tag{3.4}$$

$$n_\mu^\alpha = \max\{i \in \mathbb{Z}_+ | L_\mu[i\alpha] \neq 0\}.$$

Then matrix elements of  $\tilde{\Phi}_\lambda^{\mu,u}$  are trigonometric polynomials, i.e. have no poles; thus,  $\tilde{\Phi}_\lambda^{\mu,u}$  is well defined for all  $\lambda$ .

(3) Consider the special case  $\mathfrak{g} = \mathfrak{sl}_n, \mu = kn\omega_1$ . Recall that in this case  $L_\mu[0]$  is one-dimensional. Let  $u$  be a non-zero vector in  $L_\mu[0]$ . Then  $d_\mu(\lambda)$  is the least common denominator of matrix elements of  $\Phi_\lambda^{\mu,u}$ ; in other words, in this case matrix elements of  $\tilde{\Phi}_\lambda^{\mu,u}$  do not have non-trivial common divisors.

*Proof.* The proof is essentially the same as in the classical case, which is given in [ES]; however, we repeat it here marking necessary changes. To prove (1), it suffices to check that the vector in the right-hand side is the unique highest-weight vector of weight  $\lambda$  in  $M_\lambda \otimes L_\mu$  of the form  $v = v_\lambda \otimes u + \dots$ . Suppose  $v \in M_\lambda \otimes L_\mu$  is of the form above. Define  $E_i = e_i q^{d_i h_i/2}$ ; then  $v$  is highest-weight iff  $\Delta E_i v = 0$ . On the other hand, explicit calculation shows that  $\Delta E_i = E_i \otimes 1 - q^{2d_i} (1 \otimes S E_i) q^{d_i h_i} \otimes q^{d_i h_i}$ . Thus,

$$\Delta E_i v = (E_i \otimes 1 - q^{d_i(2+\langle \lambda, \alpha_i^\vee \rangle)} 1 \otimes S E_i) v = (E_i \otimes 1 - q^{(\alpha_i, \lambda+2\rho)} 1 \otimes S E_i) v.$$

For  $x \in M_\lambda, w \in M_\lambda \otimes L_\mu$  define  $(x, w)$  by  $(x, w_1 \otimes w_2) = (x, w_1)_{M_\lambda} w_2 \in L_\mu$ . If  $M_\lambda$  is irreducible, Shapovalov form in  $M_\lambda$  is non-degenerate, and therefore,  $w = 0 \Leftrightarrow (x, w) = 0$  for all  $x \in M_\lambda$ . Therefore, we can rewrite the condition that  $v$  is a highest-weight vector as follows

$$\Delta E_i v = 0 \iff (x, \Delta E_i v) = 0 \text{ for all } x \in M_\lambda \iff$$

$$(x, (E_i \otimes 1 - q^{(\alpha_i, \lambda+2\rho)} 1 \otimes S E_i) v) = 0 \iff$$

$$(\omega S(E_i)x, v) = q^{(\alpha_i, \lambda + 2\rho)} S E_i(x, v).$$

It is easy to see that the last condition is equivalent to the following: for any homogeneous  $F \in U^-$ , we have

$$(Fv_\lambda, v) = q^{-(\text{wt } F, \lambda + 2\rho)} \omega(F)(v_\lambda, v) = q^{-(\text{wt } F, \lambda + 2\rho)'} \omega(F)u.$$

This proves that the highest-weight vector of the desired form exists and is unique. It is easy to check that the vector given by (3.2) satisfies the condition above.

To prove (2), note that it follows from (3.2) that matrix coefficients of  $\Phi$  may have poles only at the points where the determinant of Shapovalov form vanishes. The formula for the determinant of the Shapovalov form in the quantum case can be found in [CK], and the factors occurring there are precisely the factors in formula (3.4) (up to invertible factors). One can check in the same way as it is done in [ES] for  $q = 1$  – that is, by comparing the order of pole of the matrix of Shapovalov form and its minors – that in fact all the poles of  $F^{-1}$  are simple.

The restriction on  $i$  in (3.4) appears because the coefficients  $(F^{-1})_{kl}$  which may have poles of the form (3.4) with  $i > n_\mu^\alpha$  appear with zero coefficient.

To prove (3), it suffices to check this statement for  $q = 1$ , which is also done in the paper [ES] (note that it is quite non-trivial!). However, we would like to sketch the proof here.

Consider the operator  $\tilde{\Phi}_\lambda: M_\lambda \rightarrow M_\lambda \otimes L_\mu$  (we drop the superscripts  $\mu$  and  $u$  of  $\Phi$ ). Take  $\lambda$  from the hyperplane  $H_{\alpha, s}$  given by the equation  $(\lambda, \alpha) = s$ , where  $\alpha$  is a positive root of  $\mathfrak{g}$ , and  $s$  is an integer between 1 and  $k$ . Then  $d_\mu(\lambda) = 0$ . Therefore, if  $\lambda$  is a generic point on  $H_{\alpha, s}$ , the operator  $\tilde{\Phi}_\lambda$  maps  $M_\lambda$  into  $M_{\lambda-s\alpha} \otimes L_\mu$ , where  $M_{\lambda-s\alpha}$  is the unique proper nonzero submodule in  $M_\lambda$ . In particular, we can restrict this operator to  $M_{\lambda-s\alpha}$ , which will yield an intertwining operator  $M_{\lambda-s\alpha} \rightarrow M_{\lambda-s\alpha} \otimes L_\mu$ . But such an operator has to be proportional to  $\tilde{\Phi}_{\lambda-s\alpha}$ . Therefore, we have

$$\tilde{\Phi}_\lambda|_{M_{\lambda-s\alpha}} = B_{\alpha, s}(\lambda) \tilde{\Phi}_{\lambda-s\alpha},$$

where  $B_{\alpha, s}(\lambda)$  is some Laurent polynomial of  $q^\lambda$  defined on the hyperplane  $H_{\alpha, s}$ . By continuity, this identity has to hold for all values of  $\lambda$  on this hyperplane, not necessarily generic ones. Our purpose is to show that the polynomial  $B_{\alpha, s}$  is nonzero: this will show that  $\tilde{\Phi}_\lambda \neq 0$ , which means that  $\Phi_\lambda$  has a pole on  $H_{\alpha, s}$ .

First of all, it is easy to show that if  $\alpha$  is a simple root then  $B_{\alpha, s}(\lambda) = q^s$ . This is checked directly using formula (3.2) and the fact that the highest weight vector of  $M_{\lambda-s\alpha}$  is  $f_\alpha^s v_\lambda$ . Next, for each non-simple positive root  $\alpha = \alpha_i + \dots + \alpha_j$  ( $i < j$ ), we choose a weight  $\lambda$  to be a solution to the equations

$$\left( \lambda - \sum_{m=i}^{r-1} \alpha_m, \alpha_r \right) = s, \quad r = i, \dots, j.$$

Then we get

$$\tilde{\Phi}_{\lambda - \sum_{m=i}^{r-1} \alpha_m} | M_{\lambda - \sum_{m=i}^r \alpha_m} = q^s \tilde{\Phi}_{\lambda - \sum_{m=i}^r \alpha_m}.$$

Solving this equation recursively, we get  $B_{\alpha,s}(\lambda) = q^{s(j-i+1)}$  for this particular  $\lambda$ . This implies that  $B_{\alpha,s}$  is not identically zero, as desired.

REMARK. In fact, the identity  $B_{\alpha,s}(\lambda) = q^{s(j-i+1)}$  holds for a general  $\lambda$ . However, this is a little more difficult to prove. □

REMARK. It is seen from this proof that  $\tilde{\Phi}_{\lambda}^{\mu,u}$  is actually a trigonometric polynomial in  $\lambda$  with operator coefficients, i.e. the degrees of its matrix coefficients, as trigonometric polynomials, are uniformly bounded (under a suitable definition of degree).

We will also need one more technical lemma.

LEMMA 3.2. *Let us write  $\tilde{\Phi}_{\lambda}^{\mu,u}$  in the following form*

$$\tilde{\Phi}_{\lambda}^{\mu,u} v_{\lambda} = d_{\mu}(\lambda) v_{\lambda} \otimes u + \dots + a(\lambda) v_{\lambda} \otimes u_{\mu},$$

where  $u_{\mu}$  is the highest-weight vector in  $L_{\mu}$ , and  $a(\lambda) \in \mathbb{C}_q[q^{\pm\lambda/2N}] \otimes U^{-}[-\mu]$  is a trigonometric polynomial of  $\lambda$  with values in the universal enveloping algebra. Then the greatest common divisor of the components of  $a(\lambda)$  is 1.

*Proof.* It is easy to see, using the irreducibility of  $L_{\mu}$ , that if  $a(\lambda) = 0$  then  $\tilde{\Phi}_{\lambda}^{\mu,u} = 0$ . On the other hand, we have shown before that the coefficients of  $\tilde{\Phi}_{\lambda}^{\mu,u}$  have no nontrivial common divisors, and thus  $\tilde{\Phi}_{\lambda}^{\mu,u}$  could only vanish on a subvariety of codimension more than one. Thus, the same must be true for  $a(\lambda)$ .

Now we want to define a structure of algebra on these intertwiners. Let  $\Phi_1: M_{\lambda} \rightarrow M_{\lambda} \otimes L_{\mu_1}$ ,  $\Phi_2: M_{\lambda} \rightarrow M_{\lambda} \otimes L_{\mu_2}$  be non-zero intertwiners. Let us define their product  $\Phi_1 * \Phi_2: M_{\lambda} \rightarrow M_{\lambda} \otimes L_{\mu_1+\mu_2}$  as the composition

$$M_{\lambda} \xrightarrow{\Phi_2} M_{\lambda} \otimes L_{\mu_2} \xrightarrow{\Phi_1 \otimes 1} M_{\lambda} \otimes L_{\mu_1} \otimes L_{\mu_2} \xrightarrow{1 \otimes \pi} M_{\lambda} \otimes L_{\mu_1+\mu_2}$$

where  $\pi$  is a fixed projection  $\pi: L_{\mu_1} \otimes L_{\mu_2} \rightarrow L_{\mu_1+\mu_2}$ .

Let us now consider a very special case of the above situation. *From this moment till the end of this section we only work with  $\mathfrak{g} = \mathfrak{sl}_n$ .* Take  $\mu = kn\omega_1$  for some  $k \in \mathbb{Z}_+$ , that is,  $L_{\mu}$  is the  $q$ -analogue of the representation  $S^{kn} \mathbb{C}^n$ , where  $\mathbb{C}^n$  is the fundamental representation of  $\mathfrak{sl}_n$ . This representation can be realized in the

space of homogeneous polynomials of degree  $kn$  in  $x_1, \dots, x_n$  as follows (see [EK2]):

$$\begin{aligned}
 h_i &\mapsto x_i \frac{\partial}{\partial x_i} - x_{i+1} \frac{\partial}{\partial x_{i+1}}, & e_i &\mapsto x_i D_{i+1}, & f_i &\mapsto x_{i+1} D_i, \\
 (D_i f)(x_1, \dots, x_n) & & & & & \\
 &= \frac{f(x_1, \dots, qx_i, \dots, x_n) - f(x_1, \dots, q^{-1}x_i, \dots, x_n)}{(q - q^{-1})x_i}
 \end{aligned} \tag{3.5}$$

In this case all the weight subspaces of  $L_\mu$  are one-dimensional; in particular, we can choose  $u_0^k = (x_1 \dots x_n)^k \in L_\mu[0]$ ; then  $L_\mu[0] = \mathbb{C}_q u_0^k$ . For brevity, we will write  $U_k$  for  $L_{kn\omega_1}$ ,  $\Phi_\lambda^k$  for  $\Phi_\lambda^{\mu=kn\omega_1, u_0^k}$ ,  $d_k(\lambda)$  for  $d_\mu(\lambda)$ , etc. Let us fix the projection  $\pi: U_k \otimes U_l \rightarrow U_{k+l}$  by  $\pi(u_0^k \otimes u_0^l) = u_0^{k+l}$ . In this case,  $n_\mu^\alpha = k$  for all  $\alpha \in R^+$ , and

$$d_k(\lambda) = \prod_{\alpha \in R^+} \prod_{i=1}^k (1 - q^{2(\alpha, \lambda + \rho) - 2i}). \tag{3.6}$$

**THEOREM 3.3.**

$$\tilde{\Phi}_\lambda^k * \tilde{\Phi}_\lambda^l = \tilde{\Phi}_\lambda^{k+l}. \tag{3.7}$$

*Proof.* Let us denote the left-hand side of (3.7) by  $\Psi$ . Then  $\Psi$  is an intertwiner  $M_\lambda \rightarrow M_\lambda \otimes U_{k+l}$ , whose matrix coefficients are trigonometric polynomials in  $\lambda$ . In particular, we can write  $\Psi(v_\lambda) = f(\lambda)v_\lambda \otimes u_0^{k+l} + \text{l.o.t.}$  On the other hand  $\tilde{\Phi}_\lambda^{k+l}(v_\lambda) = d_{k+l}(\lambda)v_\lambda \otimes u_0^{k+l} + \text{l.o.t.}$  Since the intertwining operator is unique for generic  $\lambda$ , this implies  $\Psi(\lambda) = \frac{f(\lambda)}{d_{k+l}(\lambda)} \tilde{\Phi}_\lambda^{k+l}$ . Since the greatest common divisor of the matrix elements of  $\tilde{\Phi}_\lambda^{k+l}$  is 1, this implies that  $f(\lambda)$  is divisible by  $d_{k+l}(\lambda)$ .

Let us now consider the lowest term of  $\Psi$ . If we write the lowest term of  $\tilde{\Phi}_\lambda^k$  as  $a_k(\lambda)v_\lambda \otimes u_k$  (cf. Lemma 3.2) and lowest term of  $\tilde{\Phi}_\lambda^l$  as  $a_l(\lambda)v_\lambda \otimes u_l$  then the lowest term of  $\Psi$  will be  $a_l(\lambda)a_k(\lambda)v_\lambda \otimes u_{k+l}$  (up to some power of  $q$ ). Since we know that components of  $a_k$  have no common divisors, and the same is true for  $a_l$ , it follows that the greatest common divisor of components of  $a_k(\lambda)a_l(\lambda)$  is 1. Indeed, suppose that  $p(\lambda)$  is a common divisor of components of  $a_k(\lambda)a_l(\lambda)$ . Passing if necessary to a certain algebraic extension of  $\mathbb{C}_q$  we get that  $a_k(\lambda)a_l(\lambda)$  vanishes on a certain subvariety of codimension 1. On the other hand, this contradicts to the fact that both  $a_k, a_l$  could only vanish on subvarieties of codimension more than one, since  $U_{q\mathfrak{g}}$  has no zero divisors. Thus, the greatest common divisor of coefficients of  $\Psi(\lambda)$  is one, which implies that  $d_{k+l}(\lambda)$  is divisible by  $f(\lambda)$ .

This proves that  $\Psi(\lambda) = c(q)q^{(\lambda, \alpha)} \tilde{\Phi}_\lambda^{k+l}$  for some  $\alpha \in \frac{1}{2n}Q$  and rational function  $c(q)$ , independent of  $\lambda$ .

To calculate  $\alpha, c$ , let us consider the limit of both sides of (3.7) as  $\lambda \rightarrow +\rho\infty$ , i.e. letting  $t_i = q^{\langle \lambda, \alpha_i^\vee \rangle / 2n} = 0$ .

LEMMA 3.4.

$$\lim_{\lambda \rightarrow \rho\infty} \Phi_k(v_\lambda) = v_\lambda \otimes u_0^k.$$

*Proof.* To prove the lemma, note first that  $\lim \tilde{\Phi}^k = \lim \Phi^k$ . Due to Lemma 3.1, we can write  $\Phi(v_\lambda) = \sum_{k,l} (F^{-1})_{kl} g_k v_\lambda \otimes (\omega g_l) u$ . It is known that if we choose a basis  $g_k$  in such a way that  $g_0 = 1, g_k$  has strictly negative weight for  $k > 0$ , then  $\lim_{\lambda \rightarrow \rho\infty} (F^{-1})_{kl} = \delta_{k,0} \delta_{l,0}$  (this follows, for example, from [L, Proposition 19.3.7], which gives much more detailed information about the asymptotic behavior of  $F$ ; it states that under a suitable normalization the Shapovalov form in the Verma module  $M_\lambda$  formally converges to the Drinfeld’s form on  $U^-$  as  $\lambda \rightarrow +\infty\rho$ ). This proves the lemma.

Using this lemma and the fact that in the identification  $M_\lambda \simeq M \simeq U^-$  the action of  $U^-$  does not depend on  $\lambda$ , one can show that

$$\lim \Psi(v_\lambda) = v_\lambda \otimes u_{k+l}.$$

Comparing it with the expression for  $\lim \Phi_{k+l}(v_\lambda)$ , we get the statement of the theorem. □

COROLLARY 3.5.

$$\Phi_\lambda^{k+l} = \frac{d_k(\lambda) d_l(\lambda)}{d_{k+l}(\lambda)} \Phi_\lambda^k * \Phi_\lambda^l \tag{3.8}$$

So far, we have proved Theorem 3.3 only for the case when  $k, l \in \mathbb{Z}_+$ . However, it can be generalized. Let us consider the space  $\tilde{U}_k = \{(x_1 \dots x_n)^k p(x), p(x) \in \mathbb{C}_q[x_1^{\pm 1}, \dots, x_n^{\pm 1}], p(x) \text{ is a homogeneous polynomial of degree } 0\}$ , where  $k$  is an arbitrary complex number. Formula (3.5) defines an action of  $U_q \mathfrak{sl}_n$  in  $\tilde{U}_k$ . Also, define  $u_0^k = (x_1 \dots x_n)^k \in \tilde{U}_k$ .

LEMMA 3.6.

- (1) *The set of weights of  $\tilde{U}_k$  coincides with the weight lattice  $Q$ , and each weight subspace is one-dimensional. In particular,  $\tilde{U}_k[0] \simeq \mathbb{C}_q u_0^k$ .*
- (2) *For generic  $k$ , the mapping*

$$x^\lambda \mapsto \frac{\Gamma_q(\lambda_1 + 1) \dots \Gamma_q(\lambda_n + 1)}{(\Gamma_q(k + 1))^n} x^{-1-\lambda}, \tag{3.9}$$

defines an isomorphism  $\tilde{U}_k^\omega \simeq \tilde{U}_{-1-k}$ . The normalization is chosen so that  $u_0^k \mapsto u_0^{-1-k}$ . Here  $\Gamma_q(\lambda)$  is  $q$ -gamma function

$$\Gamma_q(x) = \frac{1}{(1 - q^2)^{x-1}} \prod_{n=0}^{\infty} \frac{1 - q^{2(n+1)}}{1 - q^{2(n+x)}}$$

so  $\Gamma(x + 1) = q^{x-1}[x]\Gamma(x)$ , where

$$[x] = \frac{q^x - q^{-x}}{q - q^{-1}}.$$

Note that the factors of the form  $(1 - q^2)^\lambda$  in the product in (3.9) cancel, and thus we can consider this product as a formal power series in  $q$  with coefficients which are rational functions in  $q^\lambda, q^k$  (which we consider as independent variables).

(3) If  $k \in \mathbb{Z}_+$  then  $\tilde{U}_k$  contains a finite-dimensional submodule, isomorphic to the module  $U_k$  defined above:  $U_k = \tilde{U}_k \cap \mathbb{C}_q[x_1, \dots, x_n]$ . Also, in this case  $\tilde{U}_{-1-k}$  has a finite-dimensional quotient  $U^k = \tilde{U}_{-1-k}/(x^\lambda)$  such that at least one  $\lambda_i \in \mathbb{Z}_+$ . In particular,  $U_{-1}$  can be projected onto  $U^0 \simeq \mathbb{C}_q$ . Moreover, formula (3.9) above defines an isomorphism  $U_k^\omega \simeq U^k$  for  $k \in \mathbb{Z}_+$ .

*Proof of this lemma is straightforward.*

Now, let us assume that  $\lambda$  is generic and consider an intertwiner  $\Phi_\lambda^k: M_\lambda \rightarrow M_\lambda \hat{\otimes} \tilde{U}_k$  such that  $\Phi_\lambda^k(v_\lambda) = v_\lambda \otimes u_0^k + \dots$ , and  $\hat{\otimes}$  is a tensor product completed with respect to  $\rho$ -grading in  $M_\lambda$ . Note that if  $k \in \mathbb{Z}_+$  then image of  $\Phi(v_\lambda)$  lies in the submodule  $M_\lambda \otimes U_k$  (which follows, for example, from the explicit formula (3.2) for  $\Phi$ ), so this is consistent with our previous notations. Also, for  $k \in \mathbb{C}$  we define

$$d_k(\lambda) = \prod_{\alpha \in R^+} \prod_{i=0}^{\infty} \frac{1 - q^{2(\alpha, \lambda + \rho) + 2i} q^{-2k}}{1 - q^{2(\alpha, \lambda + \rho) + 2i}}, \tag{3.10}$$

which we can consider as a formal power series in  $q$  with coefficients that are rational functions in  $q^\lambda, q^k$  (which we consider as independent variables). Note that if  $k \in \mathbb{Z}_+$ , this coincides with previously given definition.

**THEOREM 3.7.** *For any  $k \in \mathbb{Z}_+, l \in \mathbb{C}$  we have*

$$\Phi_\lambda^k * \Phi_\lambda^l = \frac{d_{k+l}(\lambda)}{d_k(\lambda)d_l(\lambda)} \Phi_\lambda^{k+l} = \Phi_\lambda^l * \Phi_\lambda^k, \tag{3.11}$$

where  $d_k(\lambda)$  is given by formula (3.10).

*Proof.* Let us fix  $k$ . Then the matrix elements of the operators on both sides of (3.11) are rational functions in  $q, q^l, q^\lambda$ , which follows from the fact that  $\frac{d_{k+l}(\lambda)}{d_k(\lambda)d_l(\lambda)}$

is a rational function in  $q, q^l, q^\lambda$ . Now the statement of the Theorem follows from the fact that this is true for  $l \in \mathbb{Z}_+$  and the following trivial statement:

If  $F(q, t) \in \mathbb{C}(q, t)$  is such that  $F(q, q^l) = 0$  for all  $l \in \mathbb{Z}_+$  then  $F = 0$ . □

Let us apply this to case when  $l = -1 - k$ . In this case explicit calculation gives the following answer

**COROLLARY 3.8.** *For  $k \in \mathbb{Z}_+$ ,*

$$\Phi_\lambda^k * \Phi_\lambda^{-1-k} = \Phi_\lambda^{-1} \prod_{\alpha \in R^+} \prod_{i=1}^k \frac{1 - q^{2(\alpha, \lambda + \rho) + 2i}}{1 - q^{2(\alpha, \lambda + \rho) - 2i}}.$$

Let us consider the case of dominant  $\lambda$ . In this case it is easy to relate the intertwiners  $\Phi_\lambda^k$  defined above with the intertwiners between finite-dimensional representations, considered in Section 2.

Namely, we have the following theorem, which is valid for any Lie algebra  $\mathfrak{g}$ .

**THEOREM 3.9.** *Let  $\lambda, \mu \in P^+, u \in L_\mu[0], u \neq 0$  (note that in this case  $L_\lambda$  is finite-dimensional). Assume that  $\lambda$  is such that the intertwiner  $\Phi_\lambda^{\mu, u}: M_\lambda \rightarrow M_\lambda \otimes L_\mu$  defined in Lemma 3.1 is well-defined at this point, i.e. does not have a pole. Let  $I_\lambda$  be the maximal submodule in  $M_\lambda: L_\lambda = M_\lambda / I_\lambda$ . Then  $\Phi_\lambda^{\mu, u}(I_\lambda) \subset I_\lambda \otimes L_\mu$ , and thus,  $\Phi_\lambda^{\mu, u}$  can be considered as an intertwiner  $L_\lambda \rightarrow L_\lambda \otimes L_\mu$ . Moreover, this is the unique intertwiner  $L_\lambda \rightarrow L_\lambda \otimes L_\mu$  such that  $v_\lambda \mapsto v_\lambda \otimes u + \dots$ .*

**REMARK.** Note that for  $\lambda \in P^+$  the intertwiner  $M_\lambda \rightarrow M_\lambda \otimes L_\mu$  such that  $v_\lambda \mapsto v_\lambda \otimes u + \dots$  is not unique, so  $\Phi_\lambda^{\mu, u}$  is a very special intertwiner of this form.

*Proof.* Composing  $\Phi_\lambda^{\mu, u}$  with the projection  $M_\lambda \rightarrow L_\lambda$ , we get an intertwiner  $M_\lambda \rightarrow L_\lambda \otimes L_\mu$ . Since the tensor product is finite-dimensional, this intertwiner must annihilate  $I_\lambda$ . Uniqueness can be proved in the same way as for  $M_\lambda$  for generic  $\lambda$  (see the proof of Lemma 3.1). □

Now we are in the position to prove Macdonald’s inner product identities. Namely, in Section 2 we have proved that

$$\langle P_\lambda, P_\lambda \rangle_k = (\langle v_{\lambda^k}^*, \Phi_1 \Phi_2 v_{\lambda^k} \rangle)_{U_{k-1}},$$

where  $\lambda^k = \lambda + (k - 1)\rho$ , the intertwiner  $\Phi_1: L_{\lambda^k} \rightarrow L_{\lambda^k} \otimes U_{k-1}$  is such that  $\Phi_1(v_{\lambda^k}) = v_{\lambda^k} \otimes u_0^{k-1} + \dots$ ,  $\Phi_2: L_{\lambda^k} \rightarrow L_{\lambda^k} \otimes U_{k-1}^\omega$  is such that  $\Phi_2(v_{\lambda^k}) = v_{\lambda^k} \otimes (u_0^{k-1})^\omega + \dots$ , and the Shapovalov form  $(, )_{U_{k-1}: U_{k-1} \otimes U_{k-1}^\omega \rightarrow \mathbb{C}}$  is normalized so that  $(u_0^{k-1}, (u_0^{k-1})^\omega) = 1$  (there is no contradiction with previous

conventions, since we have the freedom of fixing the highest weight vector in  $U_{k-1}$ ). Comparing this with the results and notations of this Section, we see that

$$\langle P_\lambda, P_\lambda \rangle_k = \text{Res}(\langle v_{\lambda^k}^*, (\Phi_{\lambda^k}^{k-1} * \Phi_{\lambda^k}^{-k})v_{\lambda^k} \rangle),$$

and  $\text{Res}$  is the projection  $U_{-1} \rightarrow \mathbb{C}$  such that  $u_0^{-1} \mapsto 1$ . Using Corollary 3.8, we immediately obtain

**THEOREM 3.10 (Macdonald).**

$$\langle P_\lambda, P_\lambda \rangle_k = \prod_{\alpha \in R^+} \prod_{i=1}^{k-1} \frac{1 - q^{2(\alpha, \lambda + k\rho) + 2i}}{1 - q^{2(\alpha, \lambda + k\rho) - 2i}}.$$

This is precisely the Macdonald’s inner product identity for the root system  $A_{n-1}$ .

**REMARK.** It is easy to generalize the inner product identity to the case when  $k$  is a generic complex number (here we assume that  $q$  is specialized to a fixed real number between 0 and 1). The Macdonald’s polynomials in this situation are defined in the same way as in Section 2 (Theorem 2.1), but in this case

$$\Delta_{q, q^k} = \prod_{\alpha \in R} \prod_{i=0}^{\infty} \frac{1 - q^{2i} e^\alpha}{1 - q^{2k} q^{2i} e^\alpha}, \tag{3.12}$$

which coincides with (2.1) for positive integer values of  $k$ . It is easy to show that (3.12) defines a Laurent series in  $q$  whose coefficients are analytic functions of  $t = q^k$  for  $|t| \leq q$ . Also, it is easy to see that the coefficients of Macdonald’s polynomials are rational functions of  $t = q^k$  which are smooth at  $t = 0$ . Therefore, they are defined for a generic value of  $t$ , and hence we have

$$\langle P_\lambda, P_\lambda \rangle_k = \prod_{\alpha \in R^+} \prod_{i=1}^{\infty} \frac{(1 - q^{2(\alpha, \lambda + k\rho) + 2i})(1 - q^{2(\alpha, \lambda + k\rho) + 2(i-1)})}{(1 - q^{2(\alpha, \lambda + k\rho) + 2(i+k-1)})(1 - q^{2(\alpha, \lambda + k\rho) + 2(i-k)})}. \tag{3.13}$$

Indeed, both sides of (3.11) are holomorphic in  $t = q^k$  for  $|t| < q$ , and coincide for  $t = q^k$ ,  $k \in \mathbb{Z}^+$  (since for this case (3.13) reduces to Theorem 3.10). Therefore, they must coincide identically.

### 4. Symmetry identity

In this section we only consider the case  $\mathfrak{g} = \mathfrak{sl}_n$ .

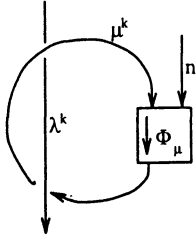
The main goal of this section is to prove Theorem 4.3, which establishes certain symmetry between the values  $P_\lambda(q^{2(\mu+k\rho)})$  and  $P_\mu(q^{2(\lambda+k\rho)})$  (notations will be



explained later). The proof of this theorem is based on the technique of ribbon graphs.

As in Section 3, let  $\Phi_\lambda: L_{\lambda^k} \rightarrow L_{\lambda^k} \otimes U_{k-1}$  be such that  $\Phi(v_{\lambda^k}) = v_{\lambda^k} \otimes u_0^{k-1} + \dots, \lambda^k = \lambda + (k-1)\rho$ .

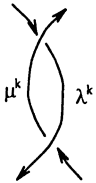
LEMMA 4.1.



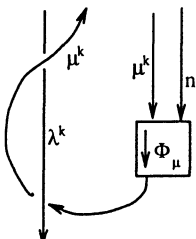
$$= \chi_\mu(q^{2(\lambda+k\rho)})\Phi_\lambda, \tag{4.1}$$

where  $\chi_\mu \in \mathbb{C}[P]$  is the weighted trace of  $\Phi_\mu$  (see Section 2), and  $\chi_\mu(q^\lambda)$  stands for polynomial in  $q, q^{-1}$  which is obtained by replacing each formal exponent  $e^\alpha$  in the expression for  $\chi_\mu$  by  $q^{(\alpha, \lambda)}$ .

*Proof.* Let us consider the operator  $F: L_{\lambda^k} \rightarrow L_{\lambda^k} \otimes U_{k-1}$  corresponding to the ribbon graph on the left hand side of (4.1). It is some  $U_{qsl_n}$ -homomorphism. Since we know that such a homomorphism is unique up to a constant, it follows that  $F = a\Phi_\lambda$  for some constant  $a$ . To find  $a$ , let us find the image of the highest-weight vector. First, consider the following part of this picture



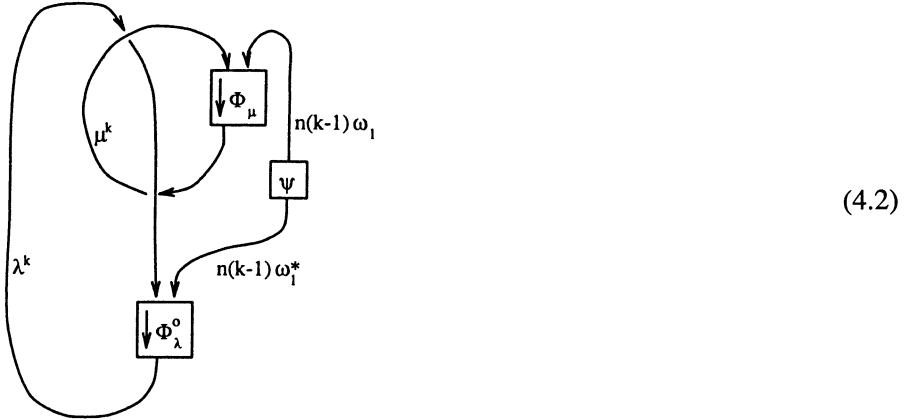
The corresponding operator is the product  $R^{21}R: L_{\lambda^k} \otimes (L_{\mu^k})^* \rightarrow L_{\lambda^k} \otimes (L_{\mu^k})^*$ . It follows from the explicit form of R-matrix (1.3) that if  $x \in L_{\mu^k}^*[\alpha]$  then  $R^{21}R(v_{\lambda^k} \otimes x) = q^{-2(\lambda^k, \alpha)}v_{\lambda^k} \otimes x + \dots$ . Thus, if  $x_i$  is basis in  $L_{\mu^k}$ ,  $x^i$  - dual basis in  $L_{\mu^k}^*$ ,  $x_i$  has weight  $\alpha_i$  then explicit calculation shows that



$$: v_{\lambda^k} \mapsto \sum_i q^{2(\alpha_i, \lambda+k\rho)}v_{\lambda^k} \otimes x^i \otimes \Phi(x_i) + \text{l.o.t.}$$

and thus,  $F(v_{\lambda^k}) = \chi_\mu(q^{2(\lambda+k\rho)})v_{\lambda^k} \otimes u_0^{k-1} + \dots$ , which completes the proof.  $\square$

**COROLLARY 4.2.** *Let  $\Phi_\lambda: L_{\lambda^k} \rightarrow L_{\lambda^k} \otimes U_{k-1}, \Phi_\lambda^\circ: L_{\lambda^k} \rightarrow L_{\lambda^k} \otimes U_{k-1}^\omega$  be as in Theorem 2.4. Then*



$$= \chi_\mu(q^{2(\lambda+k\rho)}) \langle P_\lambda, P_\lambda \rangle_k \dim_q L_{\lambda^k}.$$

*Proof.* This follows from the previous lemma and the arguments used in the proof of Theorem 2.4.  $\square$

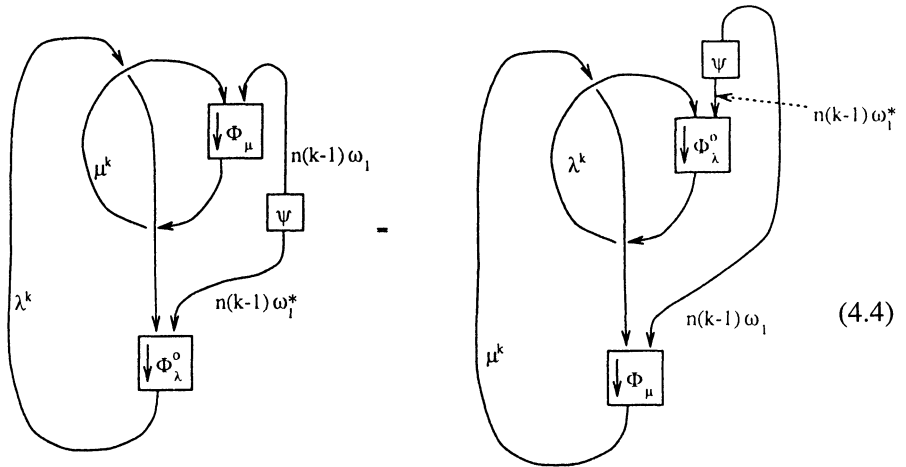
In a similar way, repeating with necessary changes all the steps of Sections 2 and 3 one can prove

**COROLLARY 4.2'.** *Formula (4.2) remains valid if we replace in the graph on the left-hand side  $\Phi_\mu$  by  $\Phi_\mu^\circ, \Phi_\lambda^\circ$  by  $\Phi_\lambda$  and interchange  $\omega_1$  and  $\omega_1^*$ .*

**THEOREM 4.3.**

$$\begin{aligned} \frac{P_\mu(q^{2(\lambda+k\rho)})}{P_\lambda(q^{2(\mu+k\rho)})} &= q^{2k(\rho, \lambda-\mu)} \prod_{\alpha \in R^+} \prod_{i=0}^{k-1} \frac{1 - q^{2(\alpha, \mu+k\rho)+2i}}{1 - q^{2(\alpha, \lambda+k\rho)+2i}} \\ &= \prod_{\alpha \in R^+} \prod_{i=0}^{k-1} \frac{[(\alpha, \mu + k\rho) + i]}{[(\alpha, \lambda + k\rho) + i]}. \end{aligned} \tag{4.3}$$

*Proof.* The proof is based on the following identity of the ribbon graphs



Due to Corollaries 4.2 and 4.2', this implies

$$\chi_\mu(q^{2(\lambda+k\rho)}) \langle P_\lambda, P_\lambda \rangle_k \dim_q L_{\lambda^k} = \chi_\lambda(q^{2(\mu+k\rho)}) \langle P_\mu, P_\mu \rangle_k \dim_q L_{\mu^k}. \quad (4.5)$$

Substituting in this formula explicit expression for  $\langle P_\lambda, P_\lambda \rangle_k$  (Theorem 3.10) and using the expression for  $\dim_q L_\lambda$

$$\dim_q L_\lambda = q^{-2(\lambda, \rho)} \prod_{\alpha \in R^+} \frac{1 - q^{2(\alpha, \lambda + \rho)}}{1 - q^{2(\alpha, \rho)}} = \prod_{\alpha \in R^+} \frac{[(\alpha, \lambda + \rho)]}{[(\alpha, \rho)]},$$

which can be easily deduced from the Weyl character formula, we get the statement of the theorem.  $\square$

COROLLARY 4.4 (Macdonald's special value identity, [M1, M2]).

$$\begin{aligned} P_\lambda(q^{2k\rho}) &= q^{-2k(\rho, \lambda)} \prod_{\alpha \in R^+} \prod_{i=0}^{k-1} \frac{1 - q^{2(\alpha, \lambda + k\rho) + 2i}}{1 - q^{2(\alpha, k\rho) + 2i}} \\ &= \prod_{\alpha \in R^+} \prod_{i=0}^{k-1} \frac{[(\alpha, \lambda + k\rho) + i]}{[(\alpha, k\rho) + i]}. \end{aligned} \quad (4.6)$$

*Proof.* Let  $\mu = 0$ . Then  $P_\mu = 1$ , and formula (4.3) reduces to (4.6).  $\square$

REMARK. Similarly to the arguments at the end of Section 3, we can show that for generic  $k$

$$\frac{P_\mu(q^{2(\lambda+k\rho)})}{P_\lambda(q^{2(\mu+k\rho)})} = q^{2k(\rho, \lambda - \mu)} \prod_{\alpha \in R^+} \prod_{i=0}^{\infty} \frac{1 - q^{2(\alpha, \mu + k\rho) + 2i}}{1 - q^{2(\alpha, \lambda + k\rho) + 2i}} \frac{1 - q^{2(\alpha, \lambda + k\rho) + 2(k+i)}}{1 - q^{2(\alpha, \mu + k\rho) + 2(k+i)}}.$$

Actually, in this case we do not even need an analytic argument: it is enough to observe that both sides of this equality are rational in  $q^k$  and coincide for positive integer values of  $k$ .

### 5. Recursive relations

In this section we explain how recurrence relations for Macdonald's polynomials can be deduced from the symmetry identity.

For  $r \in \{1, \dots, n - 1\}$ , let  $\Lambda_r$  denote the set of weights of the representation  $\Lambda^r \mathbb{C}^n$  of  $\mathfrak{sl}_n$ . It can be naturally identified with the set of subsets of size  $r$  in  $\{1, \dots, n\}$ .

Recall [M1] that Macdonald's polynomials satisfy the difference equations

$$M_r P_\lambda = c_\lambda^r P_\lambda, \tag{5.1}$$

where  $c_\lambda^r = \sum_{\nu \in \Lambda_r} q^{2(\lambda+k\rho, \nu)} = X_r(q^{2(\lambda+k\rho)})$ ,  $X_r$  being the character of  $\Lambda^r \mathbb{C}^n$ , and  $M_r$  are the operators

$$M_r = q^{kr(r-n)} \sum_{\nu \in \Lambda_r} \left( \prod_{\alpha \in R: (\alpha, \nu) = -1} \frac{q^{2k} - e^\alpha}{1 - e^\alpha} \right) T_\nu, \tag{5.2}$$

where  $T_\nu e^\lambda = q^{2(\nu, \lambda)} e^\lambda$ . (These operators were introduced independently by I. Macdonald and S. Ruijsenaars.)

Let us specialize (5.1) at  $q^{2(\mu+k\rho)}$ ,  $\mu \in P^+$ . Notice that under this specialization in the right-hand side of (5.2) the terms corresponding to such values of  $\nu$  that  $\mu + \nu \notin P^+$  drop out. Indeed, if  $\mu + \nu \notin P^+$  then we are forced to have  $(\mu, \alpha_j) = 0$ ,  $(\nu, \alpha_j) = -1$  for some simple root  $\alpha_j$ . The coefficient to  $T_\nu$  in (5.2) is  $\prod_{\alpha \in R: (\alpha, \nu) = -1} \frac{q^{2k} - q^{2(\mu+k\rho, \alpha)}}{1 - q^{2(\mu+k\rho, \alpha)}}$ . Clearly, it contains the factor  $q^{2k} - q^{2(\mu+k\rho, \alpha_j)}$  in the numerator. But this factor is zero since  $(\mu, \alpha_j) = 0$ . So the whole coefficient is zero and the term drops out. Thus we get

$$\begin{aligned} & \sum_{\nu \in \Lambda_r: \mu + \nu \in P^+} \left( \prod_{\alpha \in R: (\alpha, \nu) = -1} \frac{[(\mu + k\rho, \alpha) - k]}{[(\mu + k\rho, \alpha)]} \right) P_\lambda(q^{2(\mu+\nu+k\rho)}) \\ &= X_r(q^{2(\lambda+k\rho)}) P_\lambda(q^{2(\mu+k\rho)}) \end{aligned} \tag{5.3}$$

(here, as before,  $[n] = \frac{q^n - q^{-n}}{q - q^{-1}}$ ).

Now, using the symmetry identity (4.3), let us replace  $P_\lambda(q^{2(\mu+k\rho)})$  with  $P_\mu(q^{2(\lambda+k\rho)}) \frac{g(\lambda)}{g(\mu)}$ , where  $g(\lambda) = \prod_{\alpha \in R^+} \prod_{i=0}^{k-1} [(\alpha, \lambda + k\rho) + i]$ . Then, after a short computation, we obtain the following recursive relation

$$\sum_{\nu \in \Lambda_r: \mu + \nu \in P^+} \left( \prod_{\alpha \in R^+: (\alpha, \nu) = -1} \frac{[(\alpha, \mu + k\rho) + k - 1][(\alpha, \mu + k\rho) - k]}{[(\alpha, \mu + k\rho)][(\alpha, \mu + k\rho) - 1]} \right)$$

$$\times P_{\mu+\nu}(q^{2(\lambda+k\rho)}) = X_r(q^{2(\lambda+k\rho)})P_\mu(q^{2(\lambda+k\rho)}). \tag{5.4}$$

This relation is an equality between trigonometric polynomials in  $\lambda$  satisfied for any dominant integral weight  $\lambda$ . Hence, it is satisfied identically, and we have

PROPOSITION 5.1. *Macdonald’s polynomials satisfy the recursive relations*

$$\sum_{\nu \in \Lambda_r; \mu+\nu \in P^+} \left( \prod_{\alpha \in R^+: (\alpha, \nu) = -1} \frac{[(\alpha, \mu + k\rho) + k - 1][(\alpha, \mu + k\rho) - k]}{[(\alpha, \mu + k\rho)][(\alpha, \mu + k\rho) - 1]} \right) P_{\mu+\nu} = X_r P_\mu. \tag{5.5}$$

For example, if  $n = 2, r = 1, \Lambda_r = \mathbb{C}_q^2$ , relation (5.5) becomes the standard three-term recursive relation for the  $q$ -ultraspherical polynomials (formula (2.15) in [AI]).

REMARK. Relations (5.5) determine the matrix of the operator of multiplication by  $X_r$  in  $\mathbb{C}[P]^W$  in the basis of Macdonald’s polynomials.

COROLLARY 5.2. *The generalized characters  $\chi_\lambda$  (see Section 2) satisfy*

$$\sum_{\nu \in \Lambda_r; \mu+\nu \in P^+} \left( \prod_{\alpha \in R^+: (\alpha, \nu) = -1} \frac{[(\alpha, \mu + k\rho) + k - 1][(\alpha, \mu + k\rho) - k]}{[(\alpha, \mu + k\rho)][(\alpha, \mu + k\rho) - 1]} \right) \chi_{\mu+\nu} = X_r \chi_\mu. \tag{5.6}$$

Now let us assume that  $\lambda$  is generic and consider the intertwining operator  $\Phi_\lambda^k: M_\lambda \rightarrow M_\lambda \otimes U_{k-1}$  defined in Section 3. Let us introduce the  $\psi$ -functions

$$\psi_\lambda(x) = \text{Tr}|_{M_\lambda}(\Phi_\lambda^k x^h), \tag{5.7}$$

We would like to deduce recursive relations for the  $\psi$ -functions.

Looking at the expansions

$$\begin{aligned} \psi_{\lambda+(k-1)\rho}(x) &= \sum_{\beta \in \lambda - Q^+} \psi_{\lambda+(k-1)\rho}^\beta x^{\lambda+(k-1)\rho-\beta}, \\ \chi_\lambda(x) &= \sum_{\beta \in \lambda - Q^+} \chi_\lambda^\beta x^{\lambda+(k-1)\rho-\beta}, \end{aligned} \tag{5.8}$$

we see that for each fixed  $\beta$  the coefficients  $\psi_{\lambda+(k-1)\rho}^\beta, \chi_\lambda^\beta$  coincide for sufficiently large  $(\lambda, \rho)$ , and that  $\psi_{\lambda+(k-1)\rho}^\beta$  is a trigonometric rational function of  $\lambda$ . Therefore, Corollary 5.2 implies

PROPOSITION 5.3. *The function  $\psi_\lambda(x)$  satisfies the recurrence relations*

$$\sum_{\nu \in \Lambda_r; \mu + \nu \in P^+} \left( \prod_{\alpha \in R^+; (\alpha, \nu) = -1} \frac{[(\alpha, \mu + \rho) + k - 1][(\alpha, \mu + \rho) - k]}{[(\alpha, \mu + \rho)][(\alpha, \mu + \rho) - 1]} \right) \times \psi_{\mu + \nu}(x) = X_r(x) \psi_\mu(x). \tag{5.9}$$

*This identity remains valid when the parameter  $k$  is generic.*

**6. Appendix: ribbon graphs**

For the sake of completeness we recall here the basic facts about the correspondence between ribbon graphs and representations of quantum groups, following as closely as possible [RT1, RT2].

A ribbon graph is an object in space formed by ribbons, which can be thought of as narrow strips of paper, and coupons, which are solid rectangles. Each ribbon and each coupon have a preferred direction. We require that each ribbon graph be located in between the horizontal planes  $z = 0$  and  $z = 1$ , and the ‘free ends’ of ribbons can be located either on the interval  $[0, 1] \times 0 \times 0$  (‘bottom’) or on the interval  $[0, 1] \times 0 \times 1$  (‘top’). Some examples of ribbon graphs are shown on Figures 1 and 2. We always consider the ribbon graphs up to isotopy.

We consider ‘coloring’ of ribbon graphs. That is, to each ribbon we assign a ‘color’, i.e. an integral dominant weight  $\lambda \in P^+$ , and to each coupon we assign a homomorphism of  $U_q\mathfrak{g}$ -modules of the following type. Let us define the ‘bottom’ and ‘top’ sides of the coupon in such a way that the direction of the coupon is from top to bottom. If the colors of the ribbons with the ends on the ‘bottom’ (‘top’) are  $\lambda_1, \dots, \lambda_k$  ( $\mu_1, \dots, \mu_m$ , resp.), then coloring of the coupon is assigning to it a  $U_q\mathfrak{g}$ -intertwiner:  $L_{\lambda_1}^{\epsilon_1} \otimes \dots \otimes L_{\lambda_k}^{\epsilon_k} \rightarrow L_{\mu_1}^{\epsilon_1} \otimes \dots \otimes L_{\mu_m}^{\epsilon_m}$ , where  $L^\epsilon$  is either  $L$  – if the directions agree – or  $L^*$  – if they do not. For example, to the coupon shown on Figure 1(b) we must assign an intertwiner  $L_\lambda \rightarrow L_\mu \otimes L_\nu^*$ .

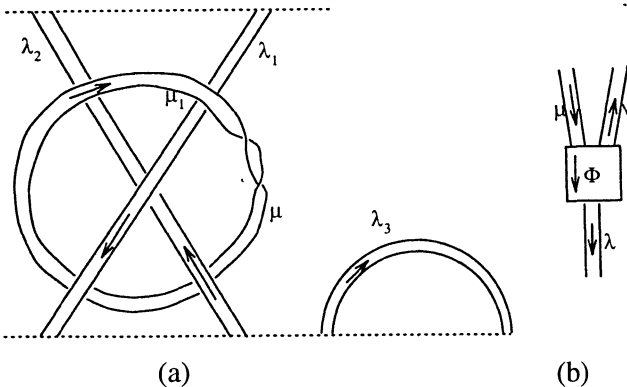


Figure 1.

Such colored ribbon graphs can be multiplied in an obvious way if the directions and colors of the ‘bottom’ of the first graph coincide with those of the ‘top’ of the second one. We also have a notion of ‘tensor product’ of ribbon graphs: if  $\Gamma_1, \Gamma_2$  are ribbon graphs then  $\Gamma_1 \otimes \Gamma_2$  is the ribbon graph which is obtained by placing  $\Gamma_2$  to the right of  $\Gamma_1$ .

Then the main theorem, proved in [RT1] says that there is a unique way to assign to each colored ribbon graph  $\Gamma$  a  $U_q\mathfrak{g}$ -homomorphism  $F(\Gamma)$  so that the following conditions are satisfied

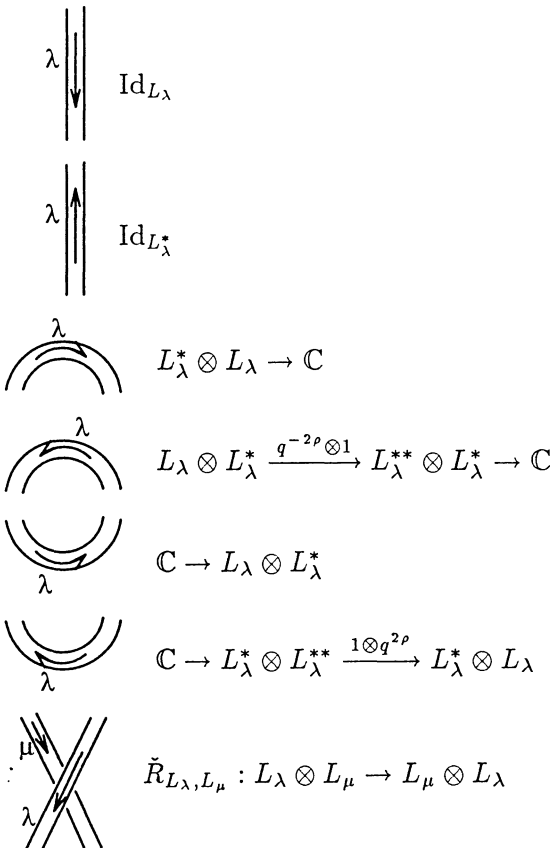
(a) if the colors of the ribbons with the ends on the ‘bottom’ (‘top’) are  $\lambda_1, \dots, \lambda_k$  ( $\mu_1, \dots, \mu_m$ , resp.), then  $F(\Gamma)$  is an  $U_q\mathfrak{g}$ -intertwiner

$$F(\Gamma): L_{\lambda_1}^{\varepsilon_1} \otimes \dots \otimes L_{\lambda_k}^{\varepsilon_k} \rightarrow L_{\mu_1}^{\varepsilon_1} \otimes \dots \otimes L_{\mu_m}^{\varepsilon_m},$$

where  $L^\varepsilon$  is either  $L$  or  $L^*$  depending on the direction of the corresponding ribbon. For example, for the ribbon graph  $\Gamma$  from the Figure 1,  $F(\Gamma)$  is an intertwiner  $L_{\lambda_1} \otimes L_{\lambda_2}^* \otimes L_{\lambda_3} \otimes L_{\lambda_3}^* \rightarrow L_{\lambda_2}^* \otimes L_{\lambda_1}$ .

(b)  $F$  respects composition and tensor product.

(c) the values of  $F$  for the ‘elementary’ graphs are shown below.



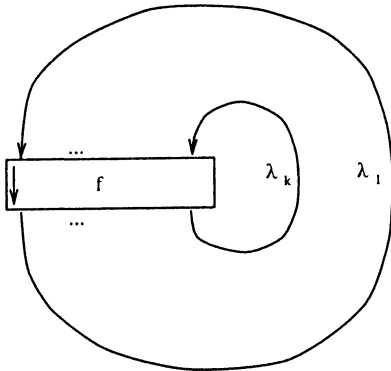
$$(\tilde{R}_{L_\mu, L_\lambda})^{-1} : L_\lambda \otimes L_\mu \rightarrow L_\mu \otimes L_\lambda$$

(all unmarked arrows are canonical morphisms from (1.1))

We will only need  $F(\Gamma)$  for the graphs  $\Gamma$  which have no twists. In this case, one can draw just the lines instead of the ribbons.

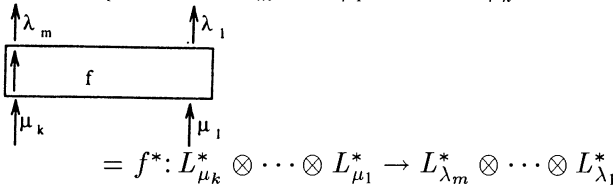
Examples.

1. If  $f: L_{\lambda_1} \otimes \dots \otimes L_{\lambda_k} \rightarrow L_{\lambda_1} \otimes \dots \otimes L_{\lambda_k}$  is an intertwiner, then



$$= \text{Tr}_q(f) := \text{Tr}_{L_{\lambda_1} \otimes \dots \otimes L_{\lambda_k}}(fq^{-2\rho})$$

2. If  $f: L_{\lambda_1} \otimes \dots \otimes L_{\lambda_m} \rightarrow L_{\mu_1} \otimes \dots \otimes L_{\mu_k}$  is an intertwiner, then



where  $f^*$  is just the usual adjoint operator to  $f$ .

### Acknowledgments

We would like to thank our advisor Igor Frenkel for systematic stimulating discussions. We also want to thank Ian Macdonald for fruitful discussions during his visit to Yale in the Fall of 1993; in particular, we learned from him the formulation of the symmetry identities. Finally, this paper was started during our stay at University of Amsterdam as participants of the special period on special functions and representations theory. We would like to express our gratitude to the organizers, especially Tom Koornwinder, for their warm hospitality.



The work of P.E. was partially supported by the NSF postdoctoral fellowship; the work of A.K. was supported by the Alfred P. Sloan dissertation fellowship.

## References

- [AI] Askey, R. and Ismail, Mourad E.-H.: A generalization of ultraspherical polynomials, *Studies in Pure Math.* (P. Erdős, ed.), Birkhäuser, 1983, pp. 55–78.
- [C1] Cherednik, I.: Double affine Hecke algebras and Macdonald’s conjectures, *Annals of Math.* 141 (1995) 191–216.
- [C2] Cherednik, I.: Macdonald’s evaluation conjectures and difference Fourier transform, preprint, December 1994, q-alg/9412016.
- [CK] De Concini, C. and Kac, V. G.: Representations of quantum groups at roots of 1, *Operator algebras, Unitary Representations, Enveloping Algebras and Invariant Theory* (A. Connes et al, eds.), Birkhäuser, 1990, pp. 471–506.
- [D] Drinfeld, V. G.: Quantum groups, *Proc. Int. Congr. Math.*, Berkeley, 1986, pp. 798–820
- [EK1] Etingof, P. I. and Kirillov, A. A., Jr.: On a unified representation-theoretic approach to the theory of special functions, *Funktsion. analiz i ego prilozh.* 28 (1994) no. 1, 91–94 (in Russian).
- [EK2] Etingof, P. I. and Kirillov, A. A., Jr.: Macdonald’s polynomials and representations of quantum groups, *Math. Res. Let.* 1 (1994) no. 3, 279–296.
- [ES] Etingof, P. I. and Styrkas, K.: Algebraic integrability of Schrödinger operators and representations of Lie algebras, preprint, hep-th/9403135 (1994), to appear in *Compositio Math.*
- [J] Jimbo, M. A.: A  $q$ -difference analogue of  $U\mathfrak{g}$  and the Yang–Baxter equation, *Lett. Math. Phys.* 10 (1985) 62–69.
- [L] Lusztig, G.: *Introduction to quantum groups*, Birkhäuser, Boston, 1993.
- [M1] Macdonald, I. G.: *A new class of symmetric functions*, Publ. I.R.M.A. Strasbourg, 372/S-20, Actes 20 Séminaire Lotharingien (1988), 131–171.
- [M2] Macdonald, I. G.: Orthogonal polynomials associated with root systems, preprint (1988).
- [RT1] Reshetikhin, N. and Turaev, V.: Ribbon graphs and their invariants derived from quantum groups, *Comm. Math. Phys.* 127 (1990) 1–26.
- [RT2] Reshetikhin, N. and Turaev, V.: Invariants of 3-manifolds via link polynomials and quantum groups, *Inv. Math.* 103 (1991) 547–597.
- [T] Tanisaki, T.: Killing forms, Harish–Chandra isomorphisms and universal  $R$ -matrices for quantum algebras, *Infinite Analysis*, part A and part B (Kyoto, 1991), *Adv. Ser. Math. Phys.* 17, World Scientific, pp. 941–961.